

girante semiassiale - semiaxial impeller - tolleranza alla sabbia 50 g/m<sup>3</sup> - sand tolerance 50 g/m<sup>3</sup>

# PANELLI®

italian excellence since 1906



**4"** 95 PR 18  
95 PRX18  
95 PRG 18  
95 REC 18 | **50**Hz  
95 SX 18

**POMPA SOMMERSA  
ELEVATA PORTATA  
SUBMERSIBLE PUMP  
HIGH CAPACITY**

*Design esclusivo Panelli  
Panelli exclusive design*



**MADE IN ITALY**



**4"** **50Hz**

**POMPA SOMMERSA - ELEVATA PORTATA**  
**SUBMERSIBLE PUMP - HIGH CAPACITY**

*Design esclusivo Panelli*  
*Panelli exclusive design*

**95 PR 18**

Girante in tecnopolimero, diffusore in Noryl, camicia esterna in AISI 304, mandata e gabbia di aspirazione in ottone

*Impeller in Technopolimer, diffuser in Noryl, External Sleeve in AISI 304, delivery bowl and suction cage in Brass*

**95 PRX 18**

Girante in tecnopolimero, Diffusore in Noryl, camicia esterna in AISI 304, mandata e gabbia di aspirazione in acciaio inox AISI 304

*Impeller in Technopolimer, diffuser in Noryl, external sleeve in AISI 304 delivery bowl and suction cage in stainless steel AISI 304*

**95 PRG 18**

Girante in tecnopolimero, Diffusore in Noryl, camicia esterna in AISI 304, mandata e gabbia di aspirazione in ghisa

*Impeller in Technopolimer, diffuser in Noryl, external sleeve in AISI 304 delivery bowl and suction cage in cast iron*



**italian excellence since 1906**

Tolleranze secondo UNI ISO 9906 livello 3B - Tolerances according to UNI ISO 9906 grade 3B

girante semiassiale - semiaxial impeller - tolleranza alla sabbia 50 g/m<sup>3</sup> - sand tolerance 50 g/m<sup>3</sup>

# PANELLI®

italian excellence since 1906

## 4"

95 PR 18

95 PRX18

95 PRG 18

95 REC 18

95 SX 18

## 50Hz

**POMPA SOMMERSA - ELEVATA PORTATA**  
**SUBMERSIBLE PUMP - HIGH CAPACITY**

*Design esclusivo Panelli*  
*Panelli exclusive design*

Girante semissiale

*Semiaxial impeller*

Roue semiaxiale

*Impulsor semiaxial*

Elevata portata: 24/25,5m<sup>3</sup>/ora – 400/425 l/min

*High capacity: 24/25,5m<sup>3</sup>/h – 400/425 l/min*

Débit très élevé: 24/25,5 m<sup>3</sup>/h – 400/425 l/min

*Caudal elevado: 24/25,5 m<sup>3</sup>/h – 400/425 l/min*

### 95 REC 18

Girante e diffusore in ghisa meccanica, albero pompa in AISI 304, mandata e gabbia di aspirazione in ghisa meccanica

*Impeller and diffuser in cast iron, pump shaft in AISI 304, delivery bowl and suction cage in cast iron*

### 95 SX 18

Girante e diffusore in acciaio inox microfuso AISI 304, albero pompa in AISI 304, mandata e gabbia di aspirazione in acciaio inox microfuso AISI 304

*Impeller and diffuser in AISI 304, pump shaft in AISI 304, delivery bowl and suction cage in AISI 304*



95 PR 18

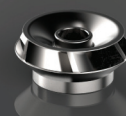


95 REC 18



4" - 25

95 SX 18



girante semiassiale - semiaxial impeller - tolleranza alla sabbia 50 g/m<sup>3</sup> - sand tolerance 50 g/m<sup>3</sup>

**4"** 95 PR18  
95 PRX18  
95 PRG18



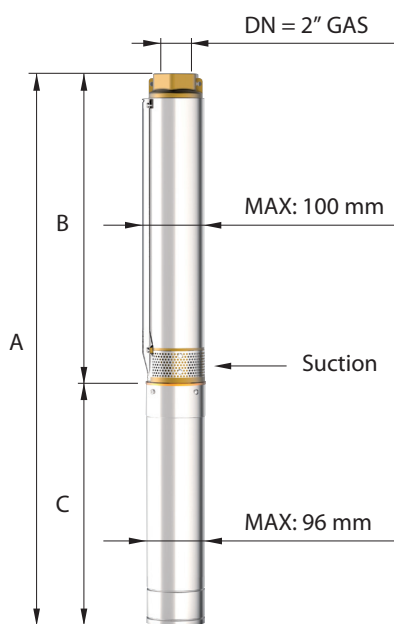
**CARATTERISTICHE IDRAULICHE - HYDRAULIC PERFORMANCES**

Q= Portata - Capacity - Debit **50 Hz n= 2900 min**

| Tipo<br>Type | Power |     | V230<br>Single Phase |    | V400<br>Three<br>Phase<br>A | H(m) | 0                 | 150               | 200               | 250               | 300               | 350               | 400   |
|--------------|-------|-----|----------------------|----|-----------------------------|------|-------------------|-------------------|-------------------|-------------------|-------------------|-------------------|-------|
|              | kW    | HP  | A                    | µF |                             |      | l/min             | l/sec             | l/sec             | l/sec             | l/sec             | l/sec             | l/sec |
|              |       |     |                      |    | m <sup>3</sup> /h           |      | m <sup>3</sup> /h | m <sup>3</sup> /h | m <sup>3</sup> /h | m <sup>3</sup> /h | m <sup>3</sup> /h | m <sup>3</sup> /h |       |
| 95 PR18 N/05 | 1,1   | 1,5 | 9,4                  | 40 | 3                           | 28   | 22                | 19                | 17                | 14                | 9                 | 2,2               |       |
| 95 PR18 N/07 | 1,5   | 2   | 11,5                 | 50 | 4                           | 39   | 30                | 27                | 24                | 19                | 12                | 3,1               |       |
| 95 PR18 N/10 | 2,2   | 3   | 14,7                 | 75 | 5,7                         | 56   | 43                | 39                | 34                | 27                | 17                | 4,4               |       |
| 95 PR18 N/14 | 3     | 4   | -                    | -  | 7,4                         | 78   | 61                | 54                | 48                | 38                | 24                | 6                 |       |
| 95 PR18 N/19 | 4     | 5,5 | -                    | -  | 10                          | 106  | 82                | 74                | 65                | 52                | 33                | 8                 |       |
| 95 PR18 N/23 | 5,5   | 7,5 | -                    | -  | 13,5                        | 128  | 100               | 89                | 79                | 63                | 40                | 10                |       |
| 95 PR18 N/32 | 7,5   | 10  | -                    | -  | 18                          | 178  | 139               | 124               | 110               | 87                | 55                | 14                |       |

**DIMENSIONI D'INGOMBRO E PESI - OVERALL DIMENSIONS AND WEIGHTS**

| Type         | A mm<br>Single Phase<br>V 230 | A mm<br>Three Phase<br>V 400 | B mm | C mm<br>Single Phase<br>V 230 | C mm<br>Three Phase<br>V 400 | M Kg<br>Single Phase | M Kg<br>Three Phase | P Kg |
|--------------|-------------------------------|------------------------------|------|-------------------------------|------------------------------|----------------------|---------------------|------|
| 95 PR18 N/05 | 967                           | 937                          | 575  | 392                           | 362                          | 12                   | 12                  | 5    |
| 95 PR18 N/07 | 1143                          | 1113                         | 721  | 422                           | 392                          | 13                   | 13                  | 6    |
| 95 PR18 N/10 | 1407                          | 1392                         | 940  | 467                           | 452                          | 15                   | 15                  | 8    |
| 95 PR18 N/14 | -                             | 1789                         | 1232 | -                             | 557                          | -                    | 19                  | 10   |
| 95 PR18 N/19 | -                             | 2194                         | 1597 | -                             | 597                          | -                    | 22                  | 13   |
| 95 PR18 N/23 | -                             | 2587                         | 1889 | -                             | 698                          | -                    | 27                  | 16   |
| 95 PR18 N/32 | -                             | 3364                         | 2546 | -                             | 818                          | -                    | 32                  | 21   |



**Versioni disponibili  
Available versions  
Versions disponibles  
Versiones disponibles**



**95 PR**  
Gabbia di aspirazione e mandata in ottone  
*Suction cage and delivery bowl in brass*



**95 PRX**  
Gabbia di aspirazione e mandata in AISI 304 microfuso  
*Suction cage and delivery bowl in AISI 304 casted*



**95 PRG**  
Gabbia di aspirazione e mandata in ghisa con trattamento di cataforesi  
*Suction cage and delivery bowl in cast iron with CED (Cathode Electro Deposition)*

n% = Rendimento della pompa  
n% = Rendement de la pompe  
n% = Pump efficiency  
n% = Rendimiento de la bomba

**Max 64,5%**

kW/st = Assorbimento per stadio  
kW/st = Absorption par étage  
kW/st = Stage absorption  
kW/st = Potencia absorbida por etapa

**Max 0,216**

Tolleranze secondo UNI ISO 9906 livello 3B - Tolerances according to UNI ISO 9906 grade 3B